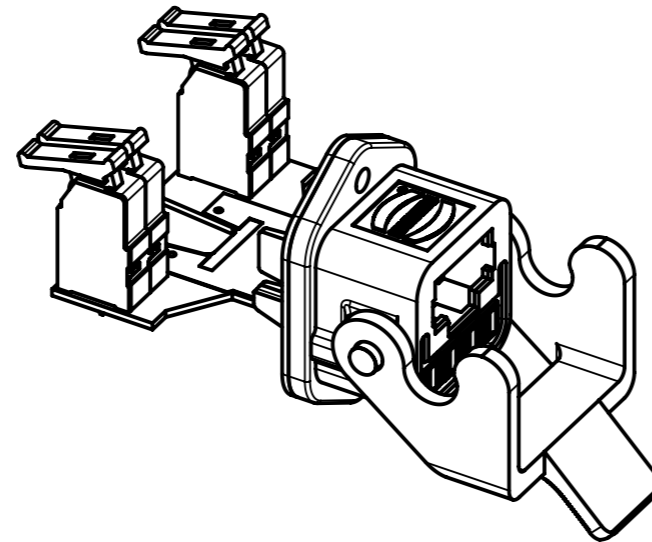
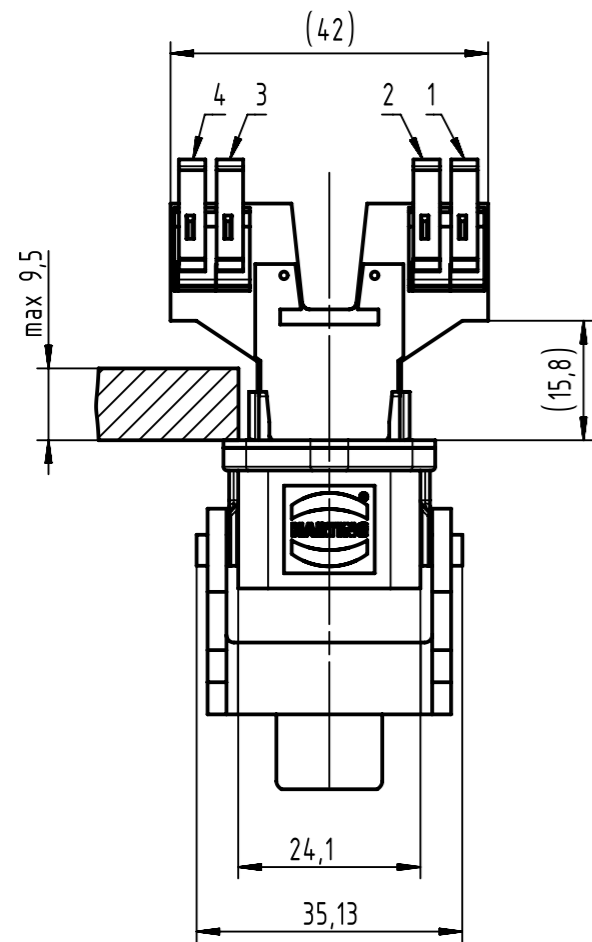
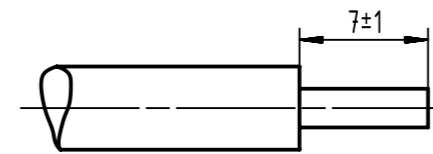


Loading-Plan
4x 16A/48V

- 1 ————— 1
- 2 ————— 2
- 3 ————— 3
- 4 ————— 4

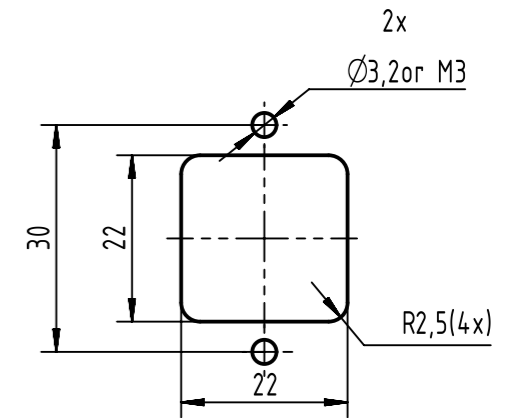


Dismantle length
for the power wires



Wire diameter: 0.5 to 2.5 sqmm
Maximum current intensity: 16 A

Panel cut-out



Maximum panel thickness: 9.55 mm

	All Dimensions in mm Original Size DIN A3		Scale 1:1	Free size tol.		Ref.
	All rights reserved Department EC PD - RO		Created by DRAGHICI	Inspected by PRIESTER	Standardisation HOFFMANN	Date 2018-02-09
HARTING Electronics GmbH D-32339 Espelkamp		Title Han 3A RJ45 Hybrid plastic			Doc-Key / ECM-Nr. 100673601/UGD/005/B 500000129287	
		Type TB	Number 09452251761		Rev. B	Page 1/1